

PULSATION DAMPENERS SERIES 87000



PRESSURE VARIATIONS CREATED BY POSITIVE DISPLACEMENT METERING PUMPS IS A MAJOR CAUSE OF PIPING & EQUIPMENT FAILURE IN MOST LIQUID PROCESSING LINES

INDICO BRAND PULSATION DAMPENERS CAN ELIMINATE UP TO 95% OF THESE DAMAGING PRESSURE VARIATIONS

EVERY DAMPENER IS DESIGNED TO PRECISELY FIT YOUR APPLICATION

THREE SIZES COVER A WIDE RANGE OF VOLUMES UP TO 1200 GPH

DOUBLE ROLLING DIAPHRAGM DESIGN ISOLATES PRESSURE SIDE OF DAMPENER FROM FLUID

NOW FURNISHED WITH A STAINLESS STEEL GLYCERIN FILLED PRESSURE GAUGE AS STANDARD EQUIPMENT WITH PRESSURE READINGS IN PSI AND KPA

OPTIONAL TEFLON DIAPHRAGM AND WETTED FLANGE FOR EXTREMELY CORROSIVE ENVIRONMENTS

PVC BODY AND STAINLESS STEEL FITTINGS STANDARD

ALL STAINLESS STEEL BODIES AVAILABLE

PRESSURE RATED TO 150 PSI

SOME MODELS AVAILABLE FOR IMMEDIATE DELIVERY

AVAILABLE BODY MATERIAL:

PVC STANDARD
303, 316 STAINLESS STEEL
HASTELOY
A20
CPVC
OTHER

CONTAINMENT DIAPHRAGMS:

HYPALON
EPDM
VITON
TEFLON

WETTED FLANGE MATERIAL:

PVC STANDARD
303, 316 STAINLESS STEEL
HASTELOY
A20
CPVC
TEFLON

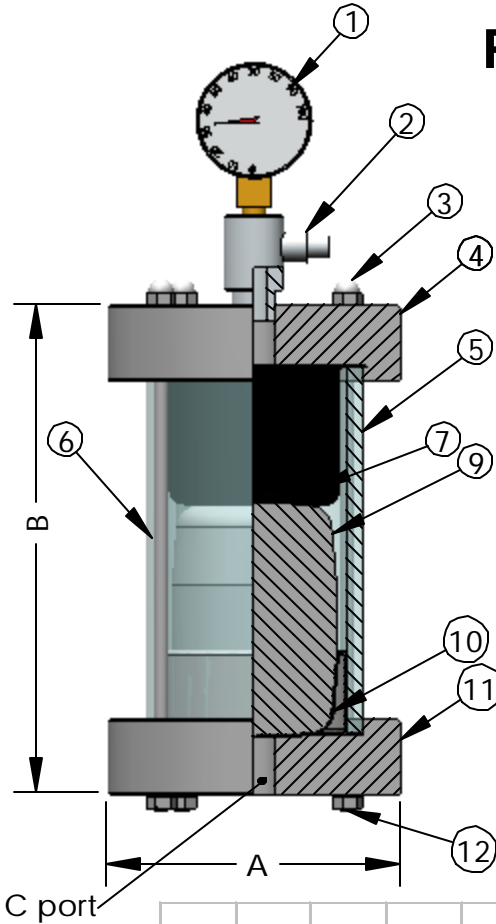
CONNECTION TYPES:

FNPT 1/2" TO 2"
CUSTOM

Since 1966
INDICO[®]
BRAND

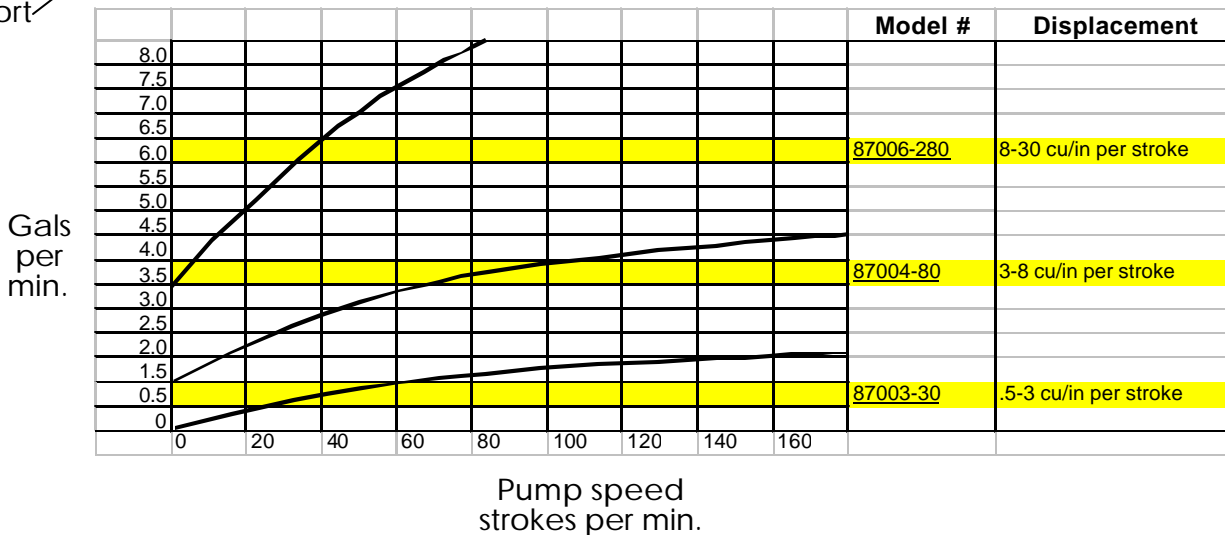
Valcom

INDICO BRAND Model 87000 Pulsation Dampener Specifications



Size	Model #	A	B	C	Wgt #
3.0 inch	87003-30	4.5	8.25	1/2" FNPT	5
4.0 inch	87004-80	6	9.75	1" FNPT	8
6.0 inch	87006-280	8	9.75	2" FNPT	13

Item #	Description	Material
1	Air Gauge	Glycerin filled Stainless steel
2	Air Inflator	Brass (Nickel Plated)
3	Tie Rod Nut	Stainless Steel
4	Top Flange	PVC or CPVC as required
5	Body	PVC or CPVC as required
6	Tie Rods	Stainless Steel
7	Air Diaphragm	Hypalon
8	Breather	Plastic (polypropylene) (not shown)
9	Piston	PVC or CPVC as required
10	Fluid Diaphragm	Hypalon, Viton, EPDM, or Teflon
11	Wetted Flange	PVC, CPVC, Teflon, 303, 316 ss, other
12	Hex Nut	Stainless Steel



Specifications

Pulsation dampeners shall be Valcom series 87000 and shall be constructed with two media compatible reinforced rolling diaphragms, complete with air charging valve and gauge. Body and wetted flanges will be manufactured of a material determined to be compatible with the chemical being pumped. Dampeners capacity shall be sized to maximum operating output of pump. Line pressure not to exceed 150 psi. Indico Model 87000 Pulsation Dampeners are manufactured by Valcom Div. of Tooling Research Inc., Walpole MA 02081