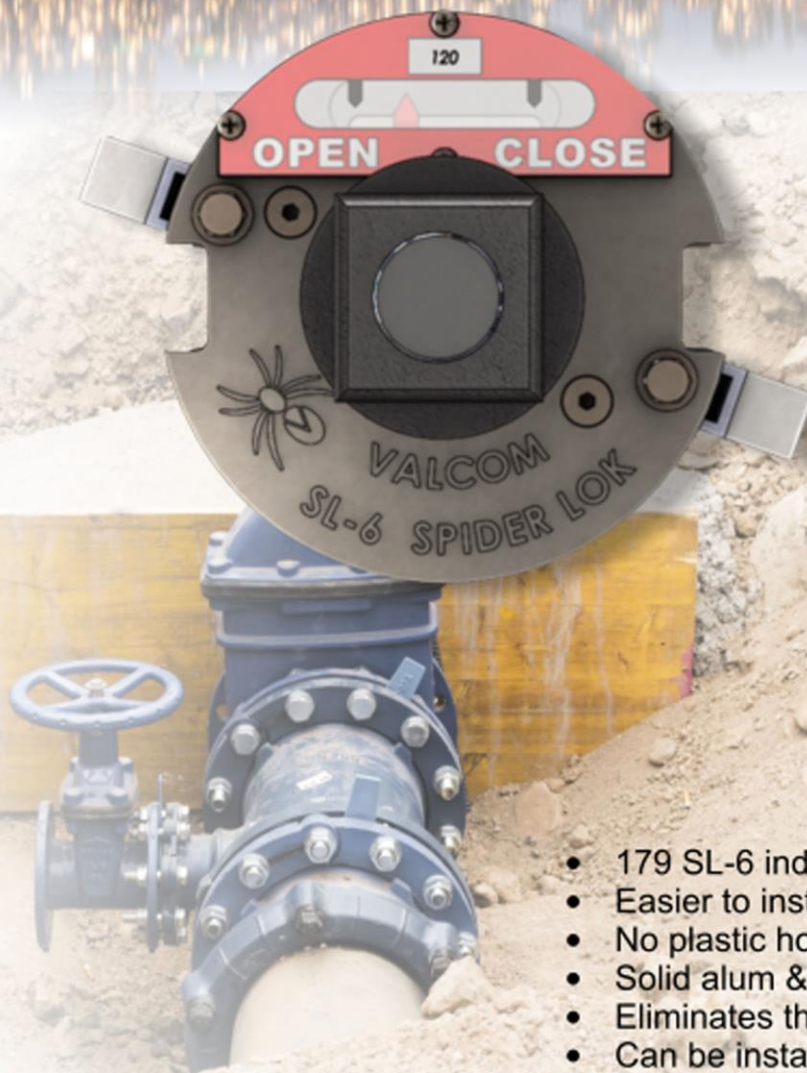




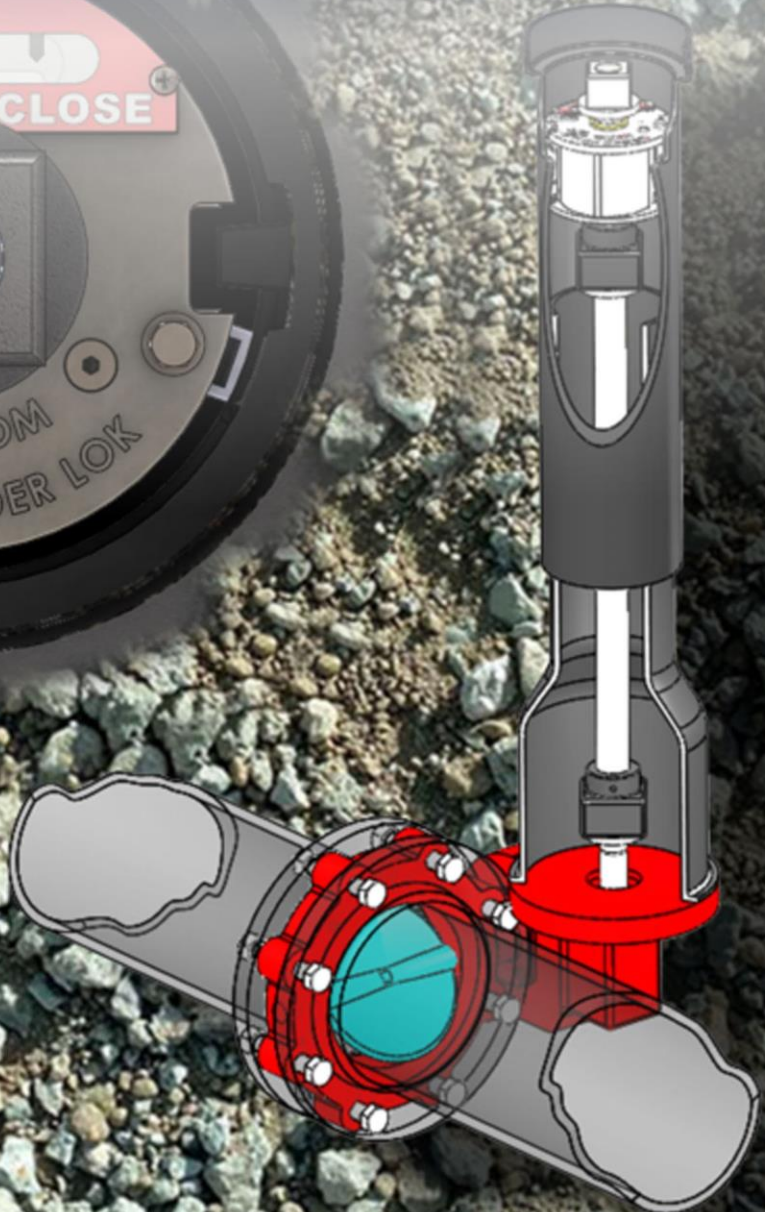
Valcom is a division of TRI, Walpole, MA 02081
email sales@tooling-research.com Phone 508 668 5583



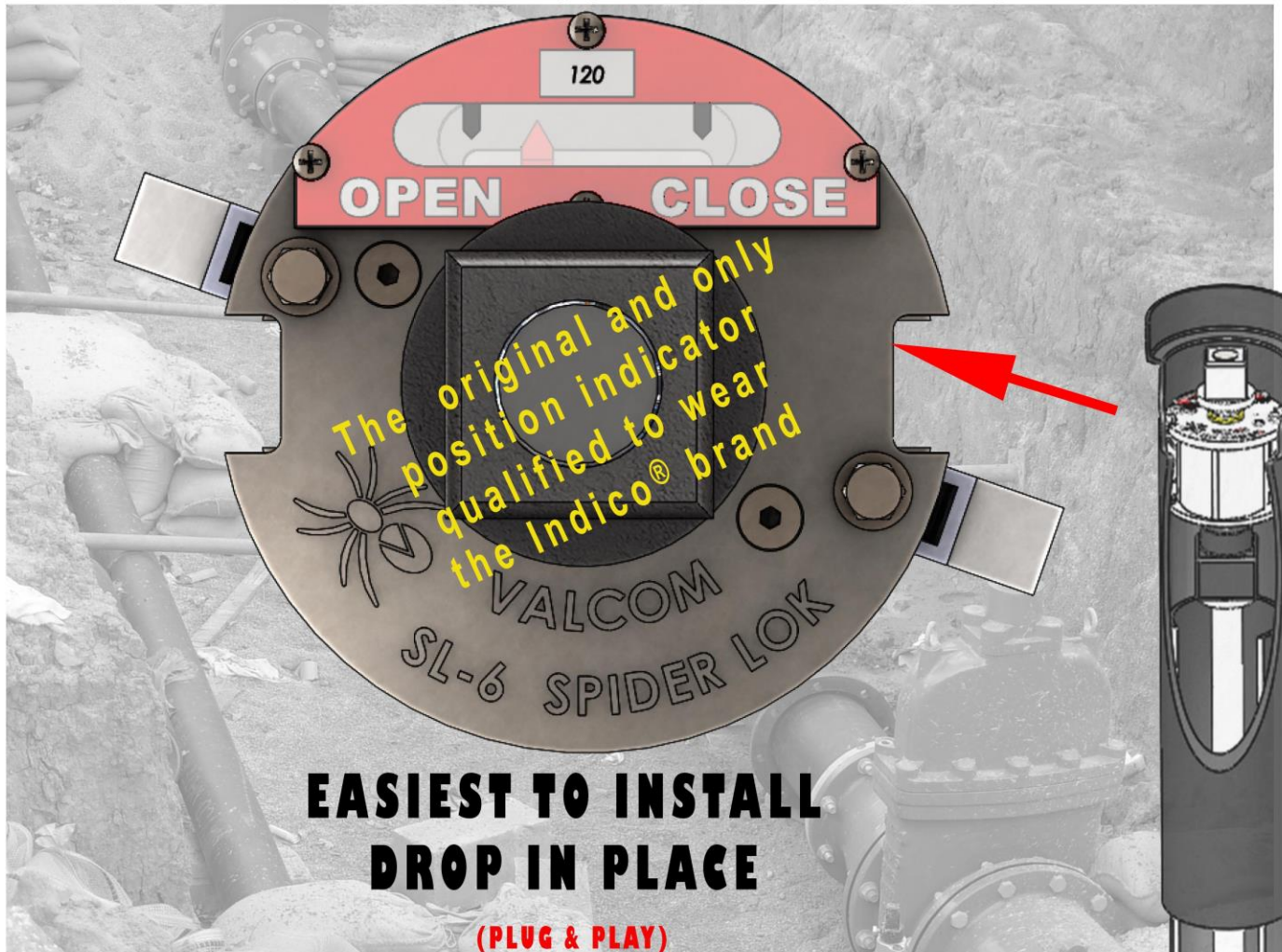
- 179 SL-6 indicator
- Easier to install
- No plastic housing
- Solid alum & SS construction.
- Eliminates the need for VBA's
- Can be installed in less than a minute
- Costs less in the long run.
- Sits lower in the standpipe

INSTALLS IN LESS THAN A MINUTE

Using one 1/2" socket wrench



THE SPIDER LOK SL-6 BURIED SERVICE POSITION INDICATOR



**EASIEST TO INSTALL
DROP IN PLACE**

(PLUG & PLAY)

**RUGGED ALL METAL
CORROSION RESISTANT CONSTRUCTION**

**WHEN ITS TIME TO UPGRADE THE
INFRASTRUCTURE INSIST ON THE BEST
FROM **VALCOM** DIV OF TRI**

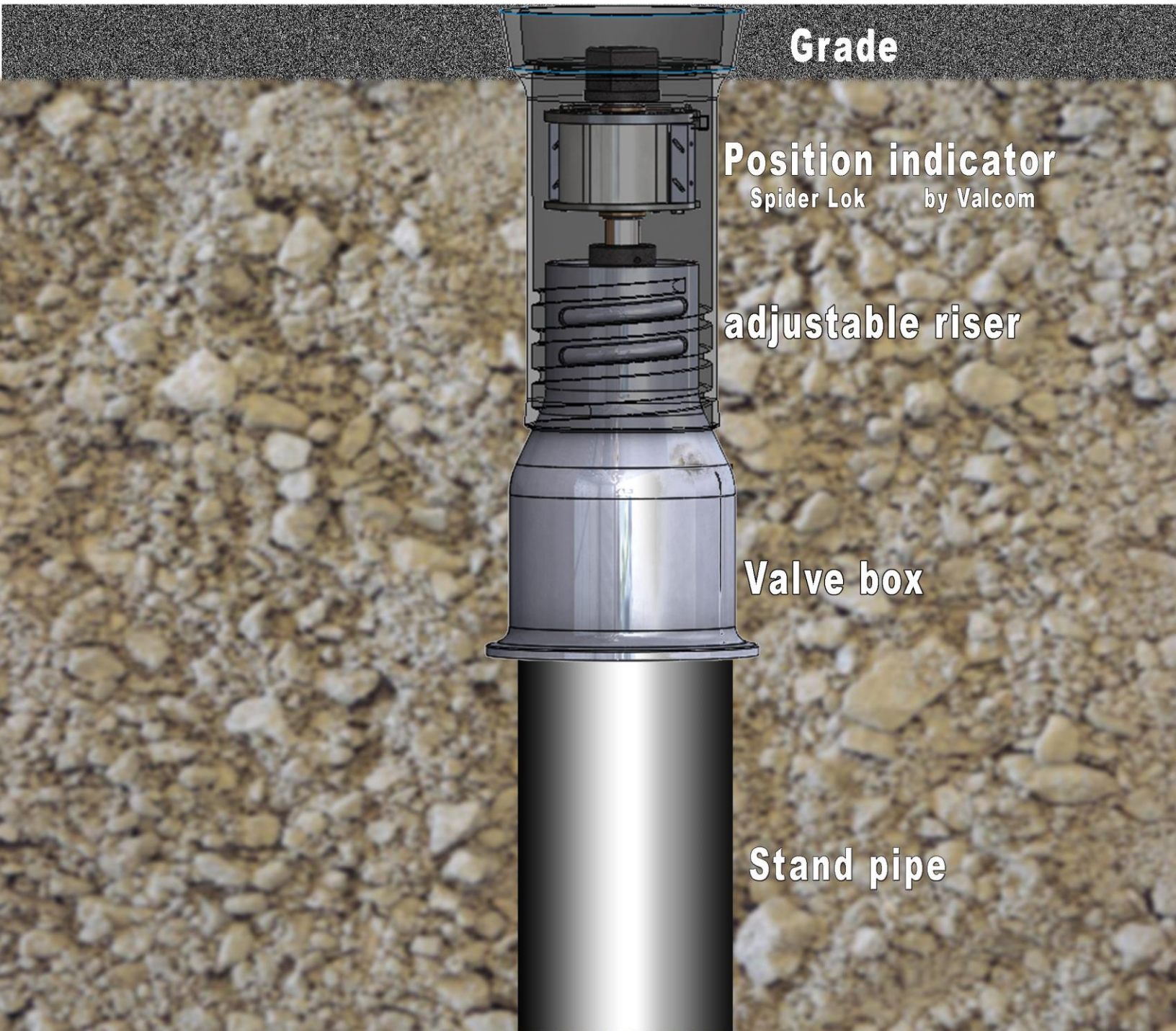
**MADE IN THE USA SINCE 1966
508 668 5583 FOR MORE INFORMATION
OR EMAIL INFO@TOOLING-RESEARCH.COM**

a veteran owned company



Typical Spider lok position indicator installation

made in the USA



VALCOM DIVISION OF TOOLING RESEARCH INC.
508 668 5583

ENGINEERING SPEC

There shall be provided a position indicating device, "Indico Model 179-SL6" manufactured by Valcom div of TRI Walpole MA. for Microsoft.

Said position indicating device shall be capable of directly coupling to any stem extension comprised of a shaft and 2" AWWA nut or any custom coupling arrangement and shall visibly show the position of the underlying valve at all times. Said position indicating device shall be capable of fitting inside a 6" diameter pipe either of a straight configuration or of the type used with an adjustable 5-1/4 valve box such as Tyler Union series 6850,6855 or equivalent including those with locking covers or internal stops.

Position indicator should be easily transitioned to meet height of stem extension and should be so designed as to **"not"** require the addition of valve box adaptors to facilitate use.

All materials of construction shall be corrosion resistant and no lubrication of the moving parts shall be required. The indicator window shall be manufactured of clear Polycarbonate break resistant material indicating total number of turns and direction required to fully open or close the affected valve. All legends shall appear in large letters on a contrasting background for easy visibility. Said position indicating device shall have the ability to be easily repositioned in the event that road levels or other factors such as settling or frost heaves make such adjustments necessary.

Position indicating system should be capable of withstanding impact, body of which shall not be comprised of any plastic materials other than the sight window.

TOOLING RESEARCH INC.

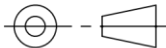
81 DIAMOND ST. WALPOLE, MA 02081

508 668 1950

UNLESS OTHERWISE SPECIFIED REMOVE ALL BURRS AND SHARP EDGES

CUSTOMER CODE

THIRD ANGLE PROJECTION



MATERIAL

FINISH

DO NOT SCALE DRAWING

DRAWN

MF

CHECKED

RESP ENG

MFG ENG

QTY PER ASSY

SPIDER LOK
LOW PROFILE
POSITION INDICATOR

SIZE	DWG. NO.	REV.
------	----------	------

179-SL6

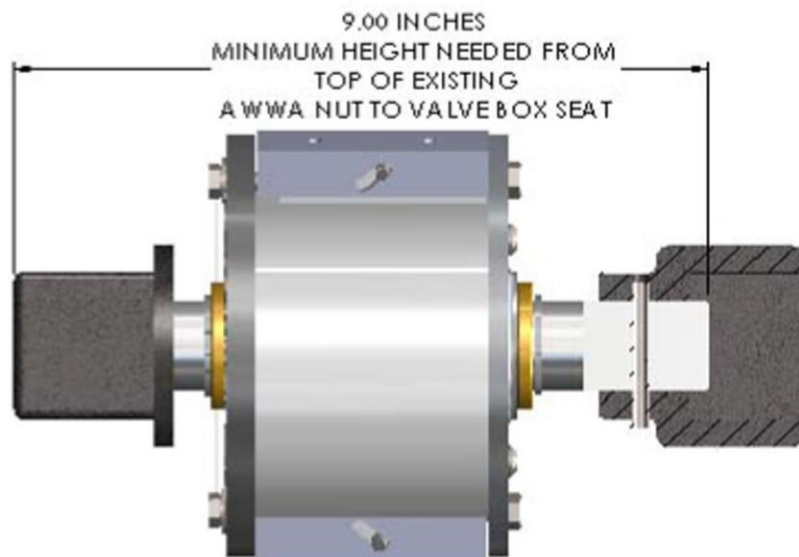
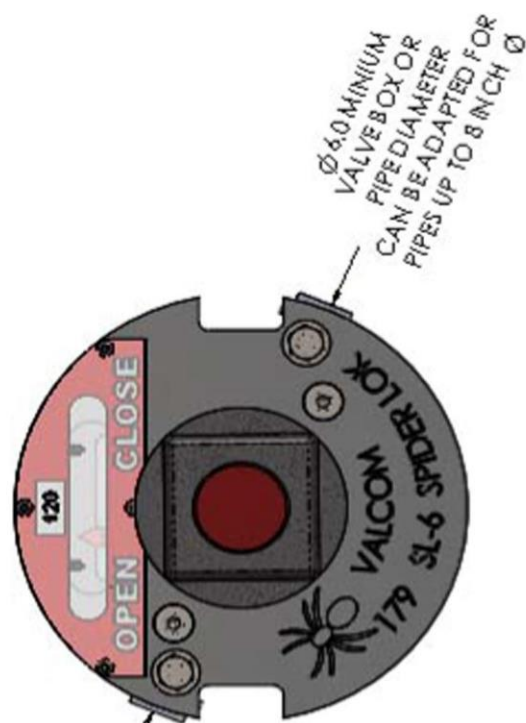
SCALE	FILE REF:	SHEET 3 OF 3
-------	-----------	--------------

THE INFORMATION CONTAINED IN THIS DRAWING IS THE SOLE PROPERTY OF TOOLING RESEARCH, INC. ANY REPRODUCTION OF THIS DRAWING IN WHOLE OR IN PART WITHOUT THE WRITTEN PERMISSION OF TOOLING RESEARCH, INC IS PROHIBITED

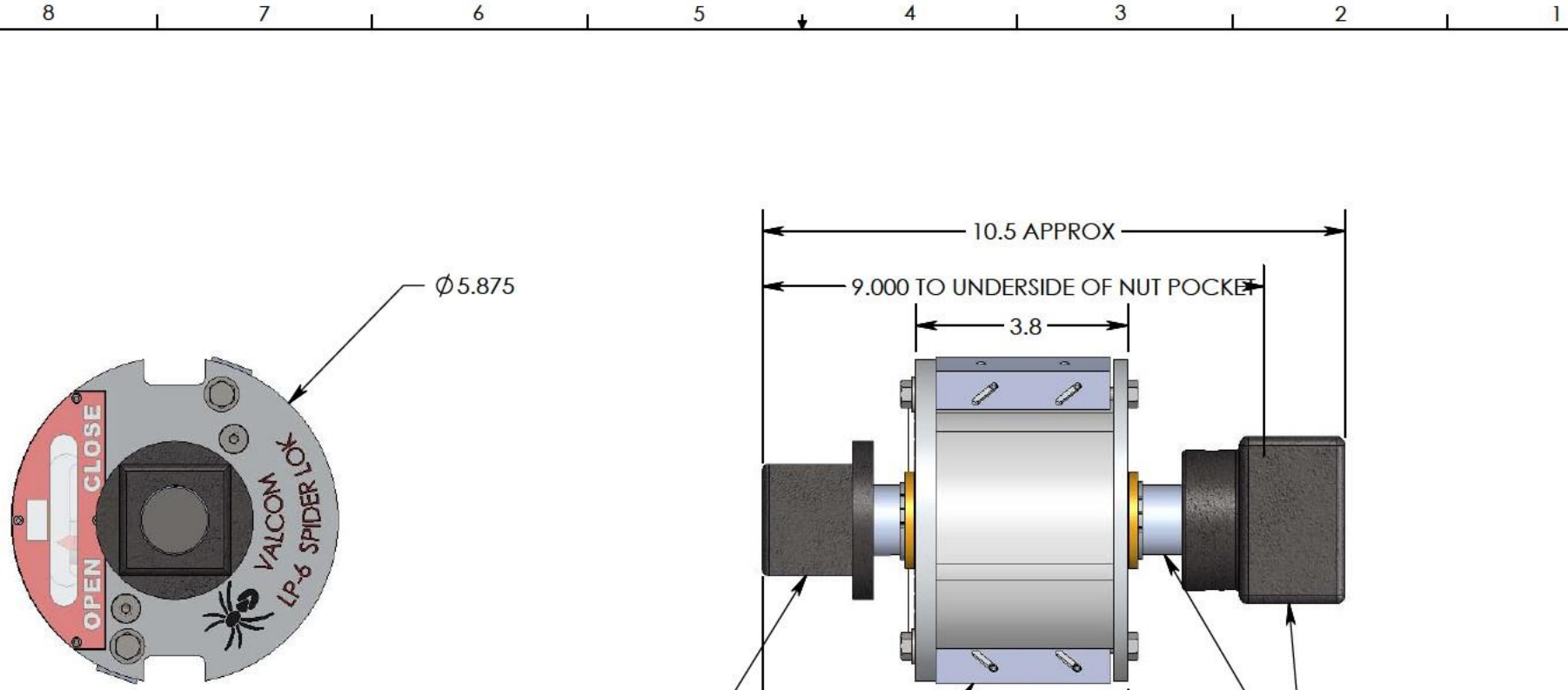
UNLESS OTHERWISE SPECIFIED DIMENSIONS ARE IN INCHES
TOLERANCES ARE:
FRACTIONS DECIMALS ANGLES
±1/64 XX±.010 ± 1
 XXX±.005
 XXXX±.0005

Valcom is a division of TRI, Walpole, MA 02081
email sales@tooling-research.com Phone 508 668 5583

1. Allow minimum of 9 inches from top of stem extension to valve box cover seat.
2. Minimum dia to accommodate indicator must be at least 6 inches dia for a length of 8 inches below cover seat.



SPIDER LOK IS THE ONLY MANUAL POSITION INDICATOR DESIGNED TO FIT INSIDE THE AREA OF A 6 INCH DIAMETER STAND PIPE
SPIDER LOK IS AN INDICO BRAND PRODUCT MANUFACTURED BY THE VALCOM DIVISION OF TOOLING RESEARCH INC



2" AWWA NUT
CI

SPIDER LOK
CLAMP SYSTEM
WITH OPTIONAL
EXPANDERS TO
FIT STANDPIPES
FROM 6" ID
UP TO 8" ID

SCALE 1 : 3

2" AWWA NUT
POCKET
CI

1-1/4" DIA SS

TOOLING RESEARCH INC.

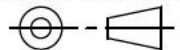
81 DIAMOND ST. WALPOLE, MA 02081

508 668 1950

UNLESS OTHERWISE SPECIFIED
REMOVE ALL BURRS
AND SHARP EDGES

CUSTOMER CODE

THIRD ANGLE PROJECTION



MATERIAL
SEE NOTES

FINISH

DO NOT SCALE DRAWING

DRAWN

MF

CHECKED

RESP ENG

MFG ENG

QTY PER ASSY

SPIDER LOK
VALVE POSITION INDICATOR

SIZE A	DWG NO 179-LP6 SP	REV
SCALE	FILE REF:	SHEET 2 OF 11

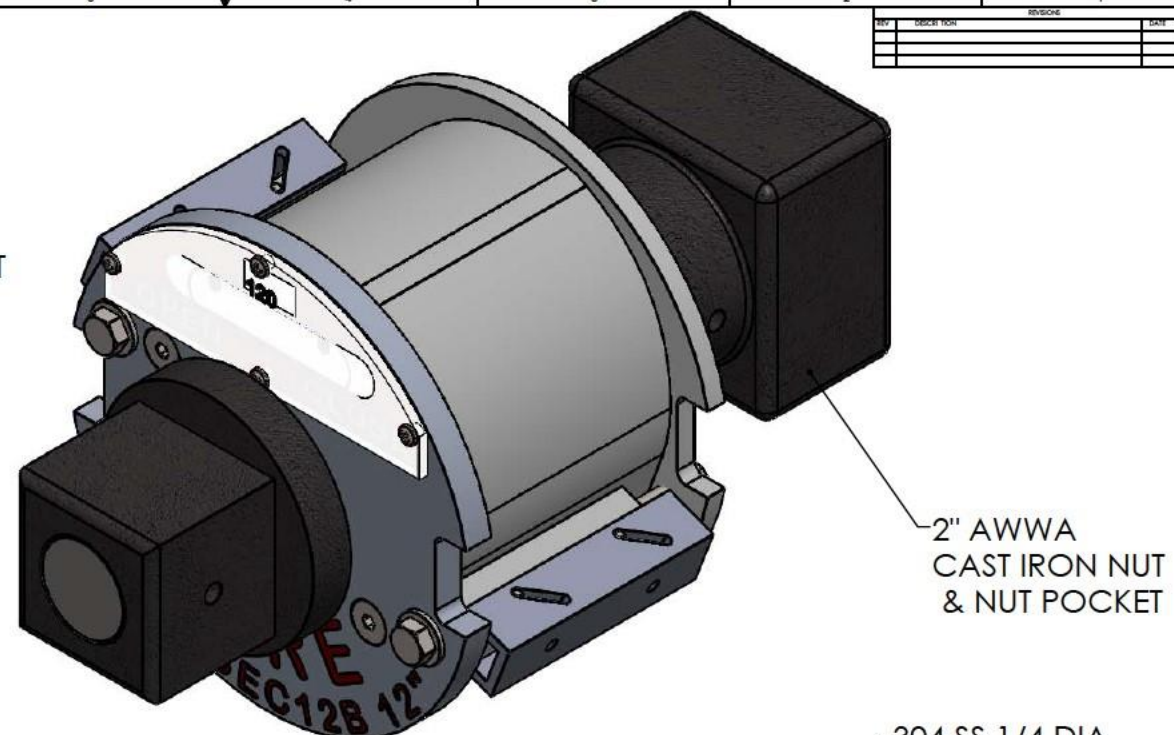
THE INFORMATION CONTAINED IN
THIS DRAWING IS THE SOLE PROPERTY
OF TOOLING RESEARCH INC. ANY
REPRODUCTION OF THIS DRAWING
IN WHOLE OR IN PART WITHOUT THE
WRITTEN PERMISSION OF TOOLING
RESEARCH INC IS PROHIBITED

UNLESS OTHERWISE SPECIFIED
DIMENSIONS ARE IN INCHES
TOLERANCES ARE:
FRACTIONS DECIMALS ANGLES
±1/64 .001 ±1°
XXX±.005
XXXX±.0005

REV	DESCRIPTION	DATE	BY	APP

EXAMPLE OF TEXT
 TEXT SIZE DEPENDENT
 UPON NUMBER OF CHARACTERS.
 TEXT ENGRAVED .01 TO .015 DEEP AND
 INFILLED WITH RED PAINT.
 HEADS WILL BE RAW ALUMINUM. NO PAINT

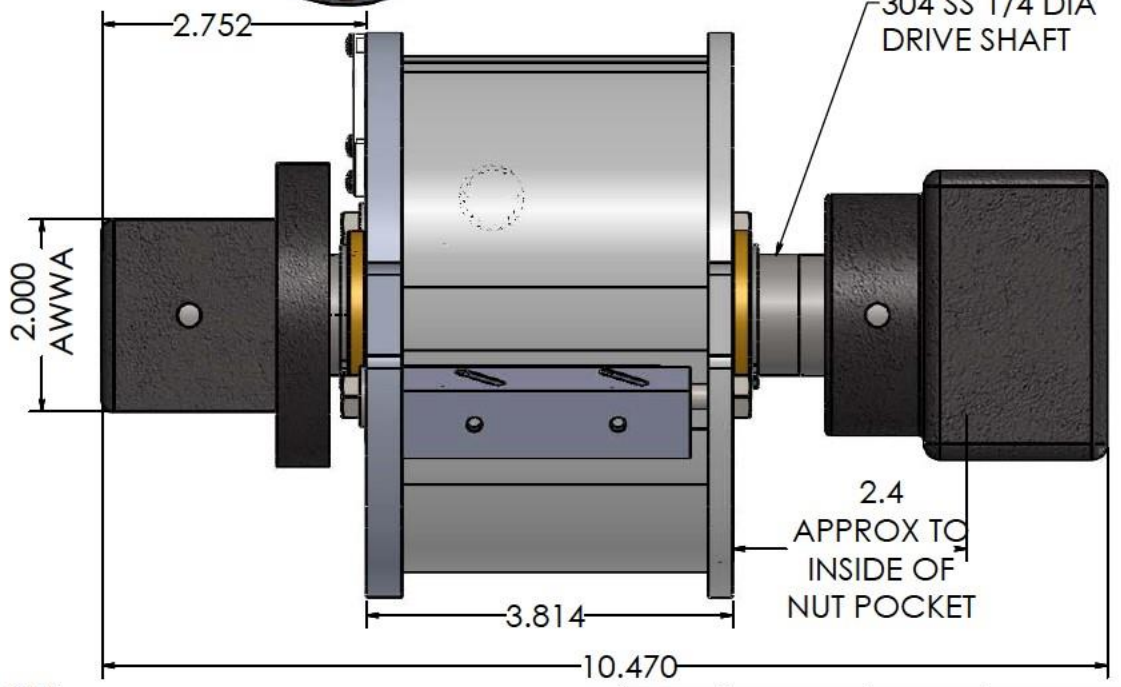
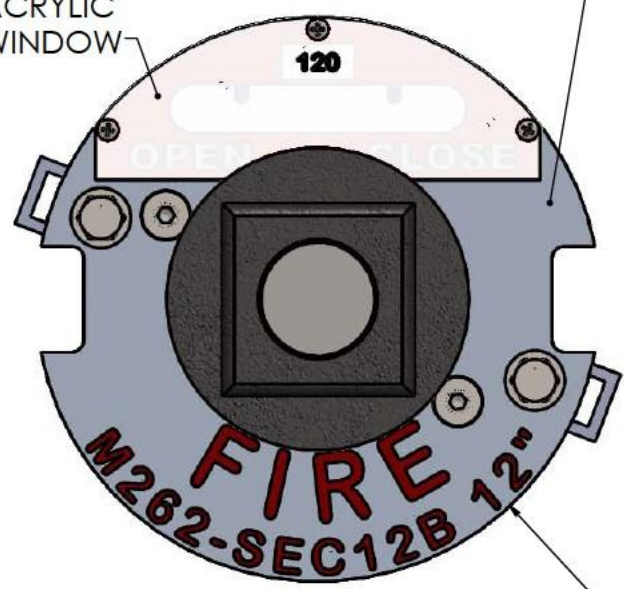
VALCOM MODEL 179-SL6
 POSITION INDICATOR
 PRIVATE LABEL FOR BOEING
 POINT OF USE SPECIFIC



2" AWWA
 CAST IRON NUT
 & NUT POCKET

HOUSING MATL CAST
 ALUMINUM AND ALUM TUBING

ACRYLIC
 WINDOW



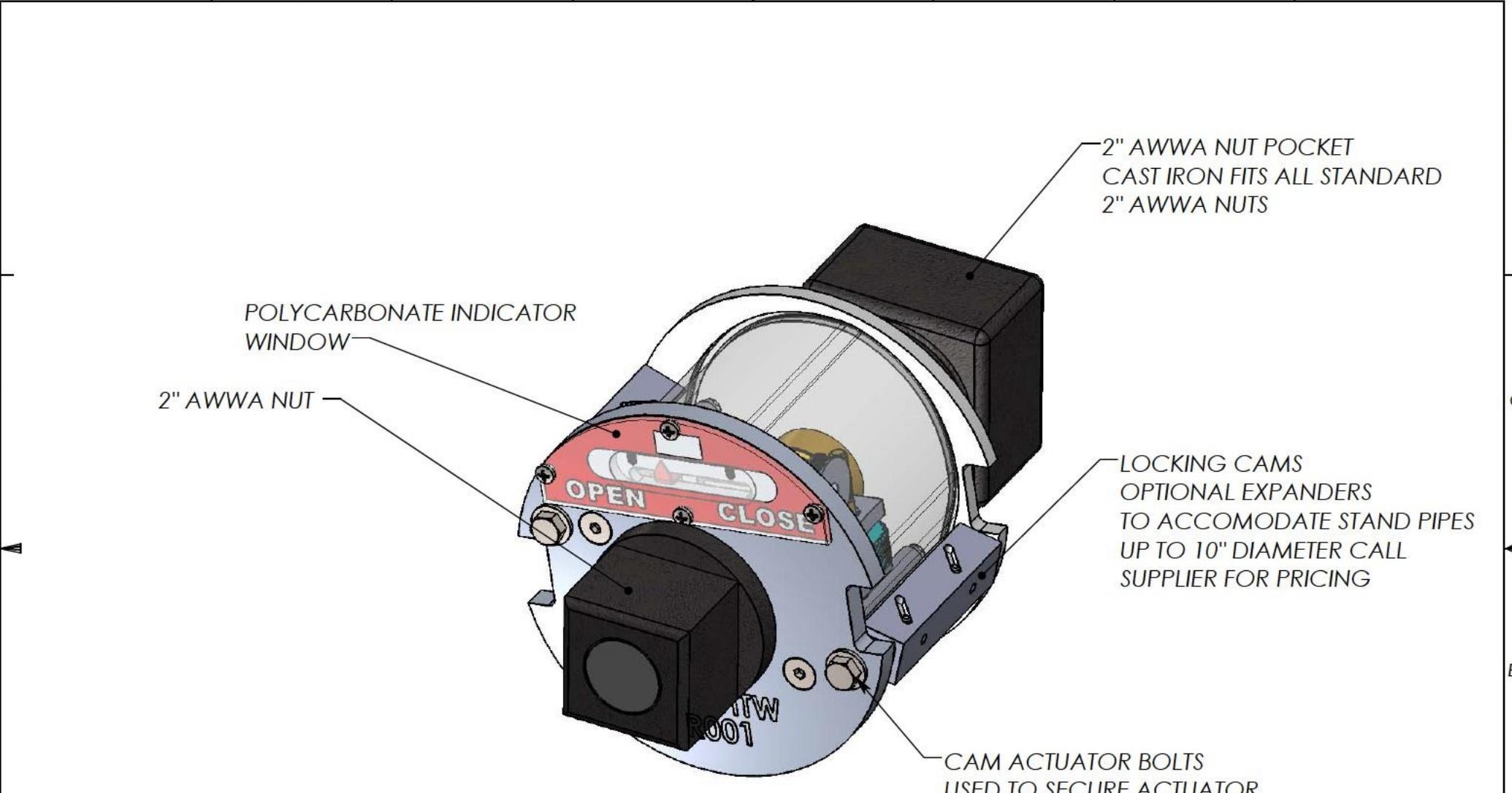
304 SS 1/4 DIA
 DRIVE SHAFT

2.4
 APPROX TO
 INSIDE OF
 NUT POCKET

ALL DIMENSIONS ARE IN INCHES

<small>THIS DRAWING IS THE PROPERTY OF TOOLING RESEARCH INC. IT IS TO BE USED ONLY FOR THE PROJECT AND QUANTITY SPECIFIED. IT IS NOT TO BE REPRODUCED OR COPIED IN ANY MANNER WITHOUT THE WRITTEN PERMISSION OF TOOLING RESEARCH INC.</small>	<small>UNLESS OTHERWISE SPECIFIED TOLERANCES ARE:</small> FRACTIONS DECIMALS ANGLES .0005 .0005 .01	<small>DATE</small> 11/14	<small>SCALE</small> 1:1	<small>TOOLING RESEARCH INC.</small> 81 DIAMOND ST. WALPOLE MA 02081
	<small>UNLESS OTHERWISE SPECIFIED TOLERANCES ARE:</small> FRACTIONS DECIMALS ANGLES .0005 .0005 .01	<small>DATE</small> 11/14	<small>SCALE</small> 1:1	<small>TOOLING RESEARCH INC.</small> 81 DIAMOND ST. WALPOLE MA 02081
<small>USED ON ASST #</small> 179-LP6 SP	<small>SEE NOTES</small>	<small>REV</small> 0	<small>SCALE</small> 1:1	<small>SPIDER LOK</small>
<small>TRIM ANGLE PROJECTION</small> 	<small>DO NOT SCALE DRAWING</small>	<small>DATE</small> 11/14	<small>SCALE</small> 1:1	<small>SHEET</small> 0

8 7 6 5 4 3 2 1



POLYCARBONATE INDICATOR WINDOW

2" AWWA NUT

2" AWWA NUT POCKET
CAST IRON FITS ALL STANDARD
2" AWWA NUTS

LOCKING CAMS
OPTIONAL EXPANDERS
TO ACCOMODATE STAND PIPES
UP TO 10" DIAMETER CALL
SUPPLIER FOR PRICING

CAM ACTUATOR BOLTS
USED TO SECURE ACTUATOR
IN PLACE DO NOT OVERTIGHTEN

NO SERVICABLE
PARTS INSIDE RETURN
TO FACTORY FOR REPAIR
IF REQUIRED

PRODUCT WEIGHT APPROX 11 POUNDS
SHIPPING WEIGHT APPROX 14 POUNDS
CARTON SIZE 12 X 12 X 12

TOOLING RESEARCH INC. 81 DIAMOND ST. WALPOLE, MA 02081		508 668 1950	UNLESS OTHERWISE SPECIFIED REMOVE ALL BURRS AND SHARP EDGES	DRAWN <i>MF</i>	SPIDER LOK LOW PROFILE POSITION INDICATOR
<small>THE INFORMATION CONTAINED IN THIS DRAWING IS THE SOLE PROPERTY OF TOOLING RESEARCH INC. ANY REPRODUCTION OF THIS DRAWING IN WHOLE OR IN PART WITHOUT THE WRITTEN PERMISSION OF TOOLING RESEARCH INC IS PROHIBITED</small>	UNLESS OTHERWISE SPECIFIED DIMENSIONS ARE IN INCHES TOLERANCES ARE:		CUSTOMER CODE	CHECKED	
	FRACTIONS	DECIMALS	ANGLES	RESP ENG	
	±1/64	XX±.010 XXX±.005 XXXX±.0005	±1°	MFG ENG	
THIRD ANGLE PROJECTION		MATERIAL SEE NOTES		QTY PER ASSY	SIZE A DWG. NO. 179-SL6 REV.
		FINISH SEE NOTES		DO NOT SCALE DRAWING	SCALE FILE REF: SHEET 1 OF 1

8 7 6 5 4 3 2 1

Valcom Lockout/Tagout system!

New from the Valcom division of TRI

Now you can lockout/tag out any 2" AWWA nut with the Valcom lockout tag out system including those with installations where position indicators are already in place.

- System works with existing 2" AWWA operator nuts.
- No tools required for installation.
- No need for additional accessories.
- Can be installed using just one hand.
- Can be installed inside any standpipe at any level accessible to normal reach.
- Comes complete with tamper resistant Lexan guard to help prevent unauthorized removal of position indicators.
- Functions as a lockout requiring only a single padlock with the included Tie Down plate.
- Can be used as a lockout /tag out with up to two large padlocks (1/4" hasps), or up to 6 padlocks with(5/32" hasps).

○ Materials of construction: ○ Aluminum housing powder coated finish. ○ Stainless steel secondary (locking) bracket 304 SS Powder coated finish. ○ Aluminum tie down plate with SS shot pin powder coated finish. ○ Volume discounts available. ○ Padlocks not included.



Have questions? Need pricing?

Call the Valcom div of TRI at 800 394 5583 for answers