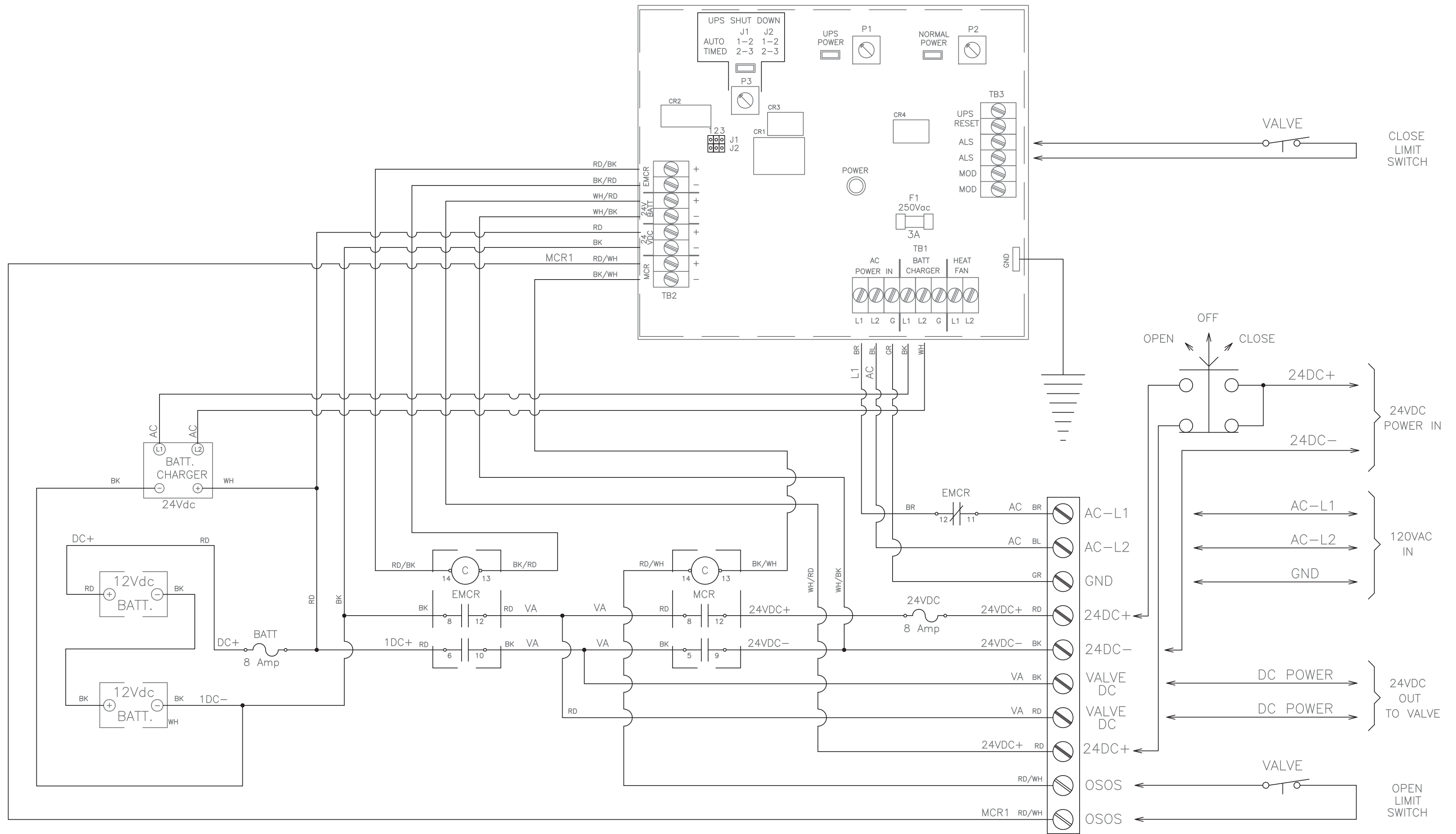


1620ES-24VDC FAILSAFE CONTROL BOARD



THE USE, DUPLICATION, OR DISCLOSURE OF THIS DATA <<IN WHOLE OR IN PART>> FOR THE MANUFACTURING OR PROCUREMENT WITHOUT THE WRITTEN PERMISSION OF VALCOM IS PROHIBITED.		<b>Valcom Inc.</b> 81 Diamond St. Walpole, MA 02081 (508) 668-5583	
Reference #		CUSTOMER:	TITLE:
P. O. Number	DESIGN BY: F. Silva	Your Company Name	24Vdc Failsafe
REV:	DATE OF REV:	DATE:	REMARKS:
N/A	N/A	12/23/12	6 Amp Single Valve
---	---	SHIPPED:	DRAWING NO.
---	---	1/7/2013	1620ES-24VDC-Typical Wiring
			SHEET No. 1 of 2