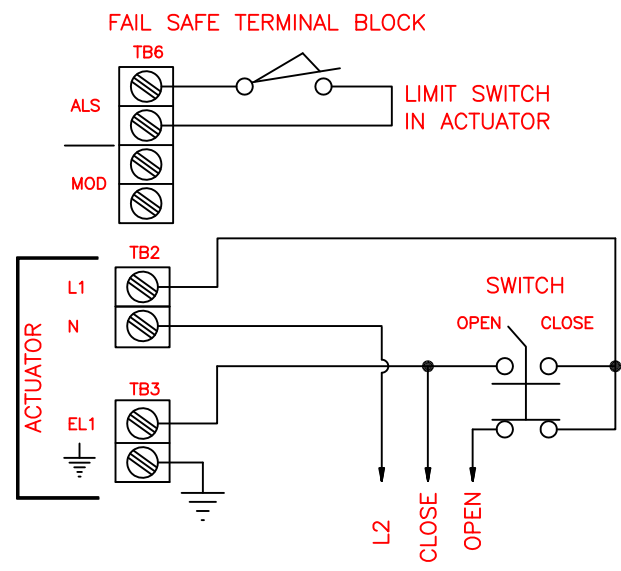


TYPICAL CONNECTION FOR MODULATING ACTUATORS

FOR THIS TYPE OF CONNECTION INSTALL A JUMPER BETWEEN TERMINALS L1 AND EL1



TYPICAL CONNECTION FOR NON-MODULATING ACTUATORS

| | | | |
|--|------------------------|---|----------------------------------|
| <small>THE USE, DUPLICATION, OR DISCLOSURE OF THIS DATA <CN WHOLE OR IN PART> FOR THE MANUFACTURING OR PROCUREMENT WITHOUT THE WRITTEN PERMISSION OF VALCOM IS PROHIBITED.</small> | | Valcom Inc. 81 Diamond St. Walpole, MA 02081 (508) 668-5583 | |
| CUSTOMER: Your Company Name | | TITLE: Single Valve Failsafe | |
| Reference # Your P.O. | DESIGN BY: F. Silva | DATE: 06/25/06 | REMARKS: APS 36 Amp System |
| REV: N/A | DATE OF REV: N/A | SHIPPED: 09/15/06 | DRAWING NO.: VF1620APS-120-XX |
| | | | SHEET No.: 2 of 2 |