



Introducing the all new 1620APS Series

New! LRA up to 100Amps Electronic Failsafe Controller, with many standard features:

Timed or Instant Power Transfer Selection from Normal Power to UPS or from UPS back to Normal Power.

Actuator Power Status LED indicates whether the motor is receiving UPS or Normal Power and when the cycle is done after a power failure.

12Vdc For Remote lights provides remote visual indication of the type of Power the Failsafe is supplying to the actuator.

Auxiliary NO/NC Contacts provides the ability to interface with external I/O systems.

Remote Test Switch terminal block; connect a **PLC**, **TIMER** or a **SWITCH** (optional from Valcom) to test the failsafe and cycle the batteries whenever needed.



1620APS Controller

Heater / Fan terminal block; ready to accept the installation of a **FAN** or **HEATER** (optional from Valcom).

UPS Reset terminal block for extra time of emergency power (**optional from Valcom).

Auto-Shut Down, when the valves are fully opened or closed after a power failure to prevent battery discharge. (Optional from Valcom)

Heavy Duty Transformer Inverter that easily starts motors with very high start-up currents.

Totally Automatic Switch-Mode Battery Charger to extend the life span of the batteries.

These powerful and compact Failsafes were designed to run valve actuators with Start-Up currents of up to 100 amps. Our Failsafes are offered in all types of NEMA enclosures, working voltages are 24VDC, 120 or 230Vac.

**Longer times of emergency power may require the use of extra or larger batteries.

Call Valcom for full line, price and information.

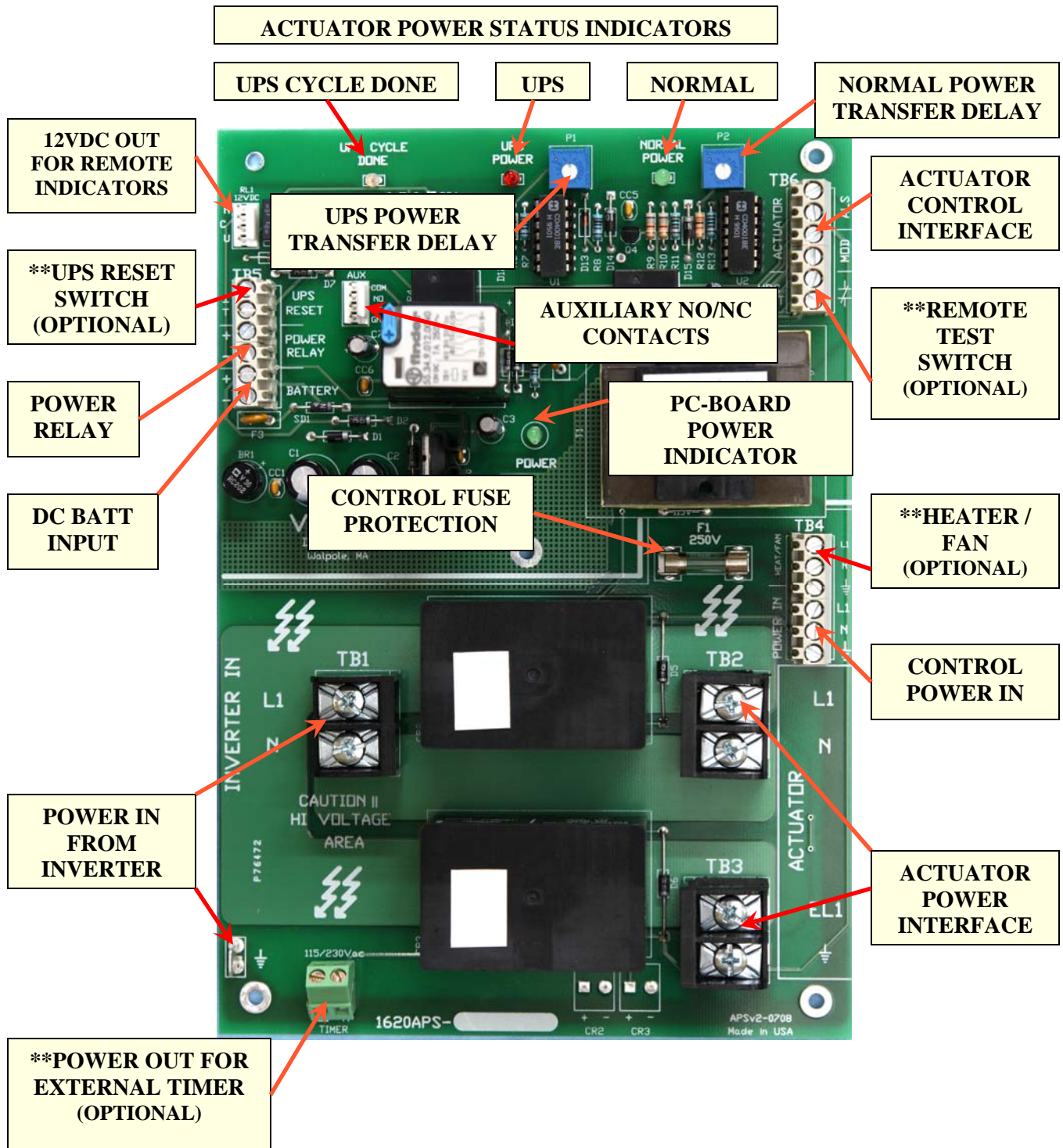
Valcom div. of TRI 81 Diamond St. Walpole, MA 02081

PH 508-668-5583 FAX 508-668-5203 Web address: www.tooling-research.com

To order call 800-394-5583

1620APS SERIES ELECTRONIC FAILSAFE

1620APS SERIES STANDARD FEATURES



**** Terminal Block is installed on PC-Board, FAN, HEATER, SWITCHES or TIMER may be ordered as an option from Valcom.**